



Accommodate 2

Parts Manual

50/60 Hz

Rev. 1981

Liebert Corporation may make improvements and/or changes in the products described in the document at any time without notice. Part numbers and technical information are subject to change without prior notice.

Liebert Corporation assumes no responsibility and disclaims all liability for incidental or consequential damages resulting from use of this information from errors or omissions.

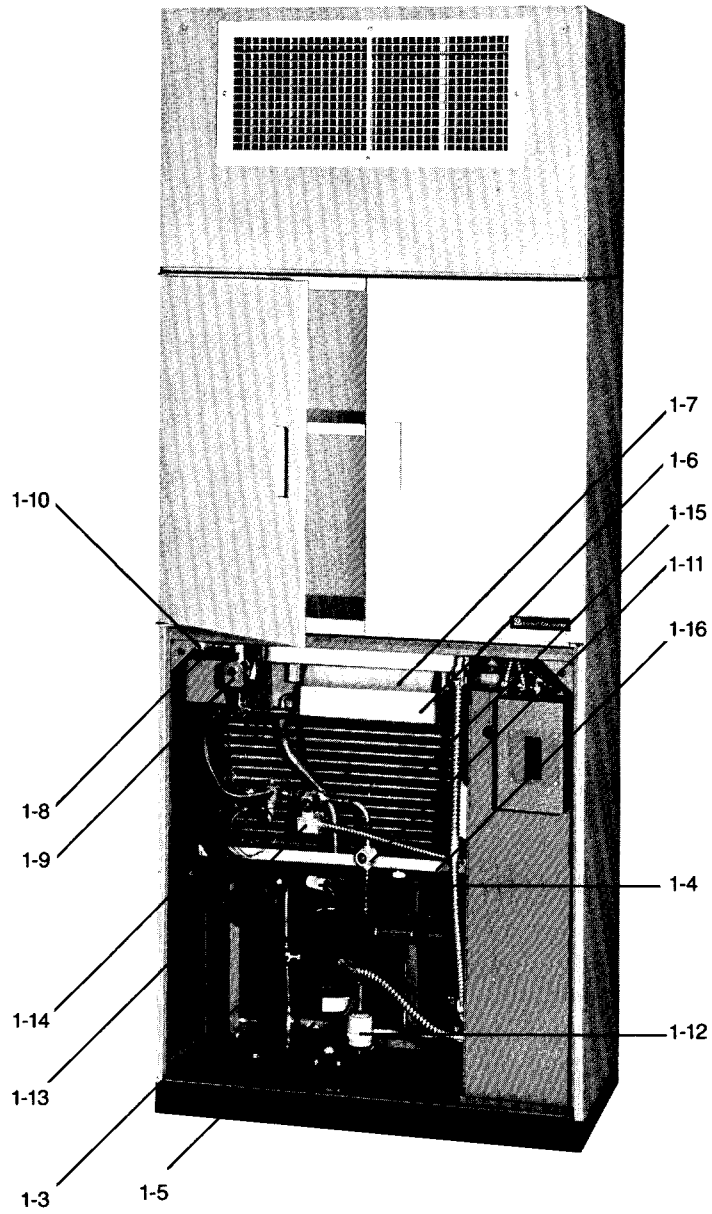
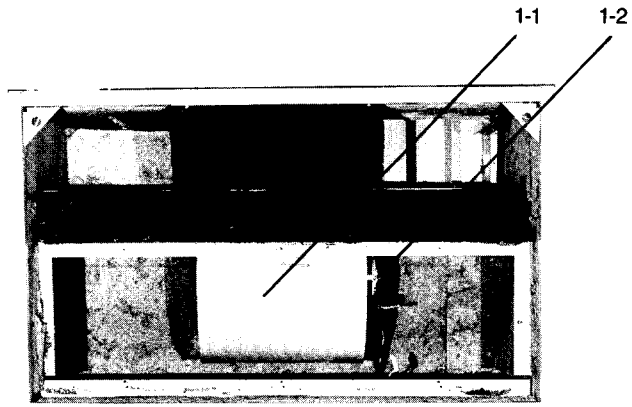


Photo page 1

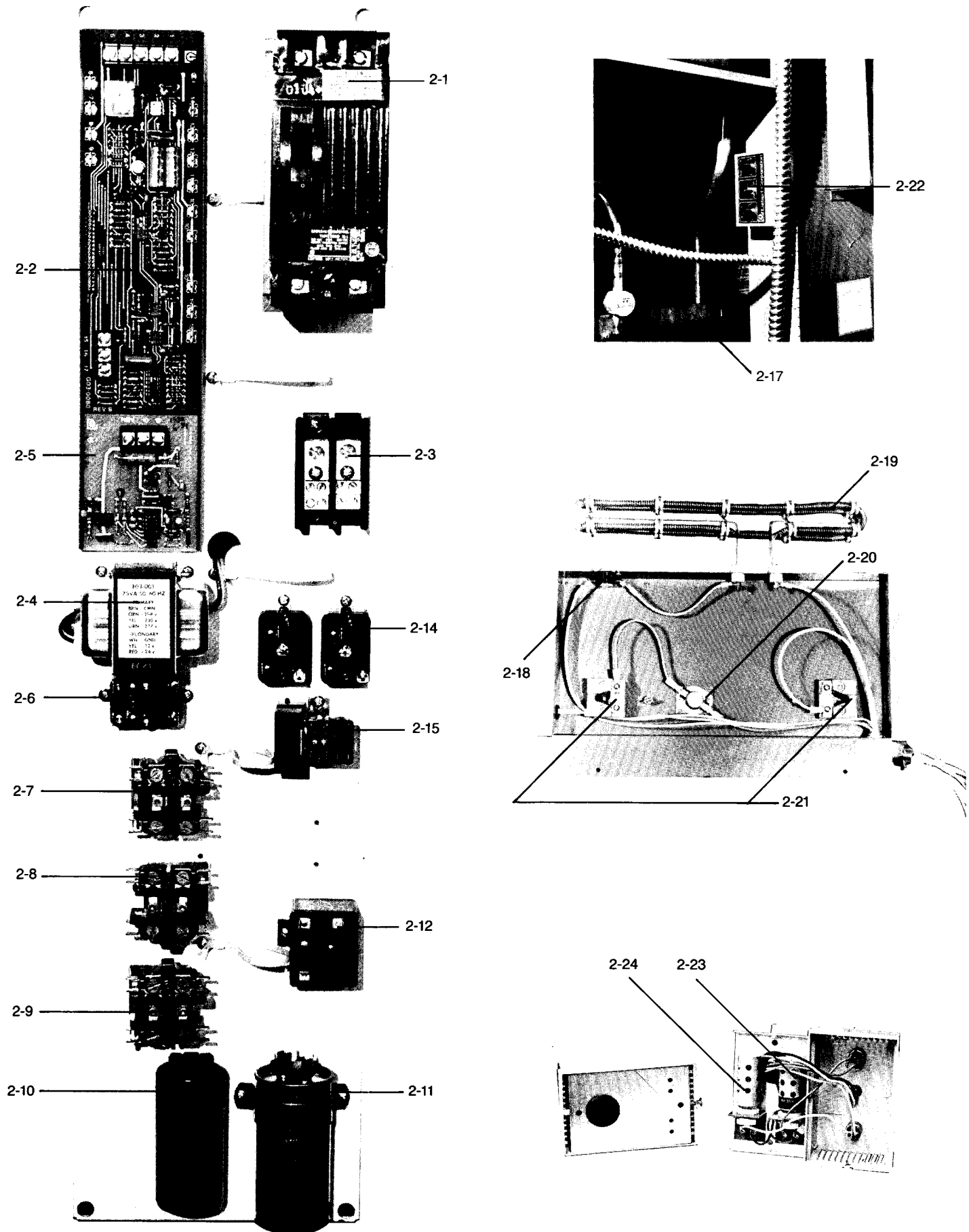


Photo page 2

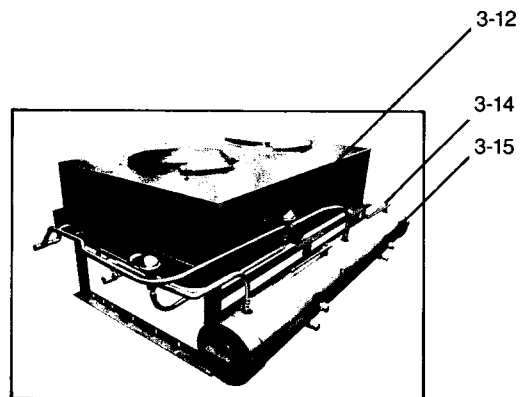
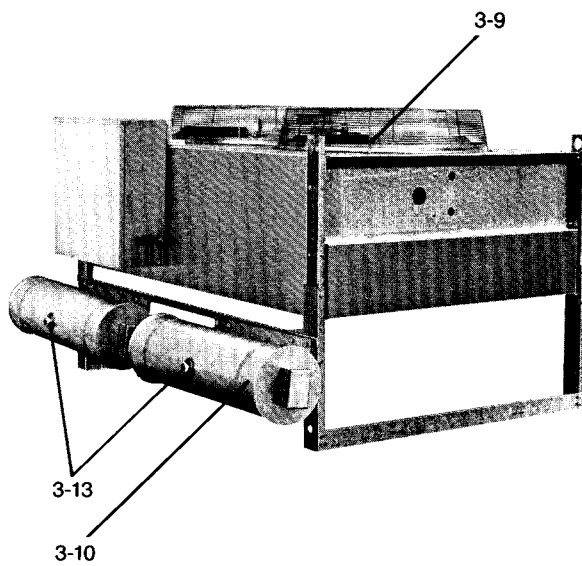
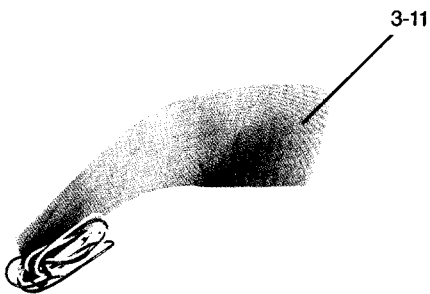
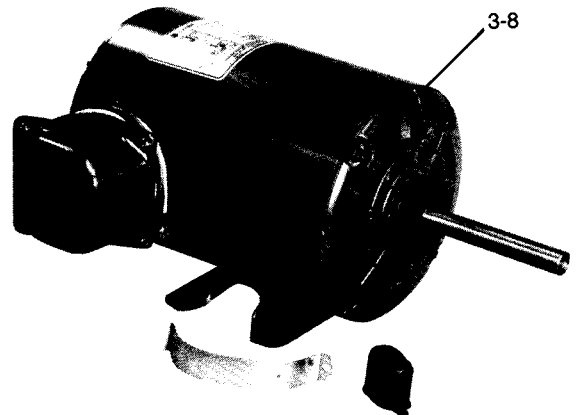
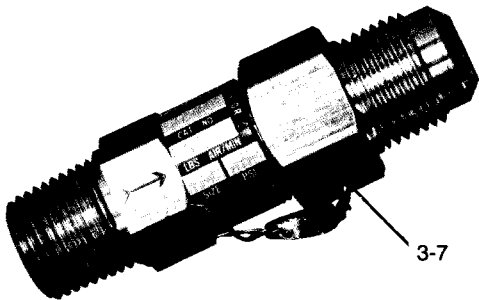
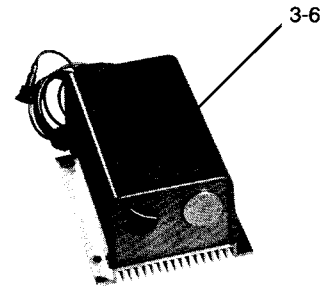
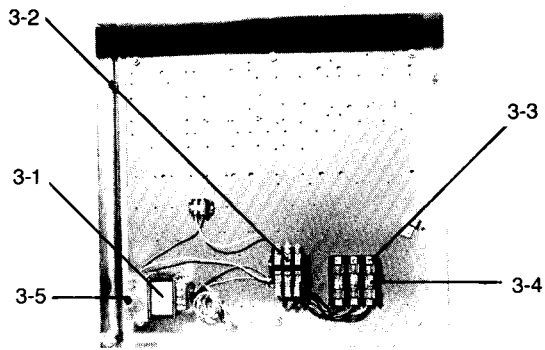
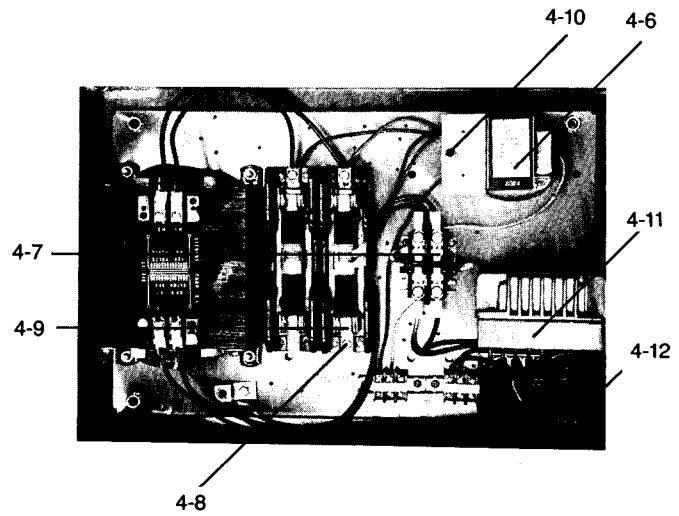
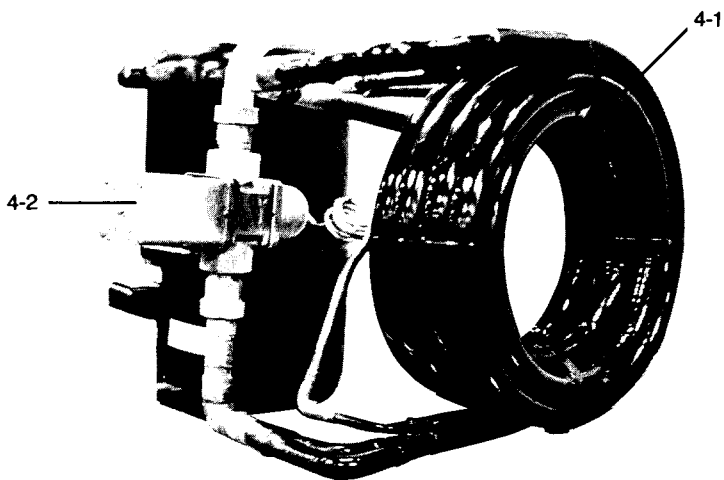
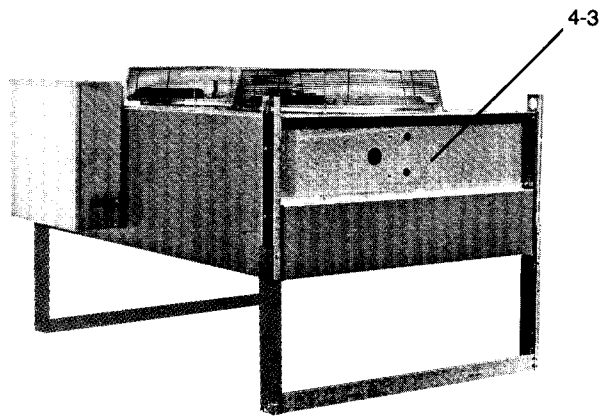
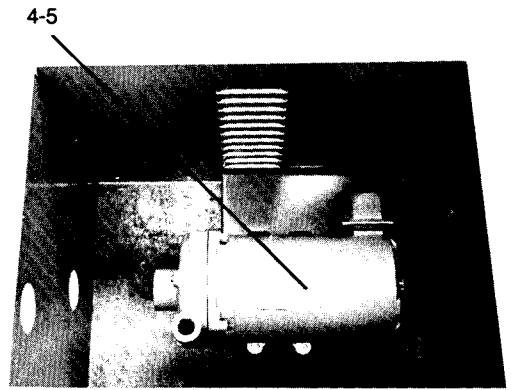
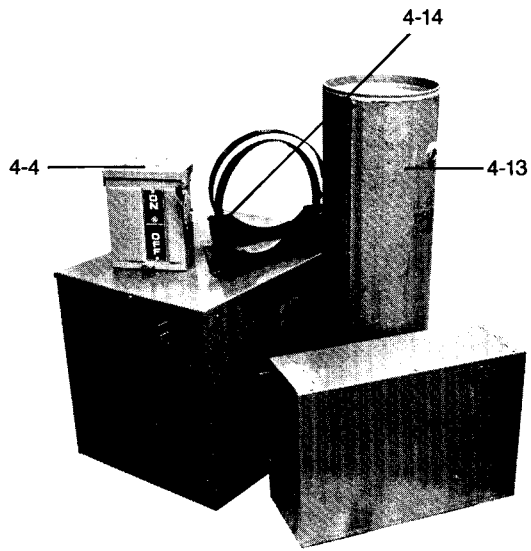


Photo page 3



ACCOMMODATE2 - MODEL S
 AU 27 AIR, AU 29 WATER, AU 25G GLYCOL, AU 25L GLYCOOL, AU 36 CHILLED WATER

FIND NO.	DESCRIPTION	PART NUMBER			RSP
		208V	230V	277V	
MAIN FAN SECTION					
1- 2	Motor ½ HP	B15-0100	B15-0100	B15-0090	X
1- 1	Blower Wheel and Housing		B15-0110		X
1-12	Contactator		E03-0020		X
1-11	Capacitor		B03-002A		X
COMPRESSOR SECTION					
1-28	Compressor	C15-0190	C15-0190	C15-0200	X
1-13	Contactator		E03-0020		X
1-14	Compressor Start Relay	E15-0190	E15-0190	E15-0180	X
1-15	Compressor Capacitor (Start)		E15-0280		X
1-16	Compressor Capacitor (Run)		C15-0090		X
	Compressor Relay		E15-0140		X
1-27	Pressure Switch (Low)		P15-0090		X
1-29	Pressure Switch (High)		P15-0080		X
	Mounting Spring Kit		C03-0020		
CHILLED WATER SECTION					
	Chilled Water Coil		115-0019		
	Solenoid Valve		P15-0070		X
	Coil Drain Pan		E15-0470		X
HUMIDIFIER SECTION					
1- 3	Pan		F15-0650		X
1- 4	Reflector		F15-0280		X
	Porcelain Socket		H15-0010		X
1- 5	Flow Regulating Valve		H-0440		X
1- 6	Solenoid Valve		H-0380		X
1- 7	"Y" Strainer		H-0390		X
	Quartz Lamp (1 required)	H15-0030	H15-0030	H15-0040	X
1-17	Contactator		E03-0020		X
	Safety (130°F)		R15-0030		X
1-18	Auto Flush Timer		020-0176		X

ACCOMMODATE2 - MODEL S
 AU 27 AIR, AU 29 WATER, AU 25G GLYCOL, AU 25L GLYCOOL, AU 36 CHILLED WATER

FIND NO.	DESCRIPTION	PART NUMBER			RSP
		208V	230V	277V	
REHEAT SECTION					
1-19	Safety (120°F)		R13-0090		X
1- 8	Heater Element	R15-0050	R15-0050	R15-0060	X
1-20	Contactoer		E03-0020		X
REFRIGERATION SECTION					
1-30	Liquid Indicator		P-3870		X
1-32	Filter Drier		P03-0030		X
1-31	Solenoid Valve		P15-0020		X
1- 9	Expansion Valve		P15-0010		X
1-10	Dx Coil		115-0017		
1-33	Drain Pan		F15-0470		X
AIR COOLED (FAN SPEED CONTROL)					
Air Cooled Condenser (95°)			D15-0010		
3- 1	Transformer	E-007A	E-007A	E15-0130	X
3- 2	Contactoer		E-011A		X
3- 3	Fuseblock		E-1030		X
3- 4	Fuse		E-2070		X
3- 5	Circuit Breaker		E-276C		X
3- 6	Fan Speed Control		E-3250		X
3- 7	Relief Valve		W-0170		X
3- 8	Motor		B-095C		X
3- 9	Blade		D-016A		X
	Guard		D-016J		X
	Rain Guard		D-1830		X
Air Cooled Condenser (100°)			CSF-060P		
3- 1	Transformer	E-007A	E-007A	E15-0130	X
3- 2	Contactoer		E-011A		X
3- 3	Fuse Block		E-1030		X
3- 4	Fuse		E-2070		X
3- 5	Circuit Breaker		E-276C		X
3- 6	Fan Speed Control		E-3250		X
3- 7	Relief Valve		W-0170		X
3- 8	Motor		B-095C		X
3- 9	Blade		D67-002A		X

ACCOMMODATE2 - MODEL S
 AU 27 AIR, AU 29 WATER, AU 25G GLYCOL, AU 25L GLYCOOL, AU 36 CHILLED WATER

FIND NO.	DESCRIPTION	208V	PART NUMBER		RSP
			230V	277V	
Air Cooled Condenser (100°) (Continued)			CSF060P		
	Guard		D67-002B		X
	Rain Guard		E67-0030		X
Air Cooled Condenser (105°)			CSF-078P		
3- 1	Transformer	E-007A	E-007A	E15-0130	X
3- 2	Contactator		E-011A		X
3- 3	Fuse Block		E-1030		X
3- 4	Fuse		E-2070		X
3- 5	Circuit Breaker		E-276C		X
3- 6	Fan Speed Control		E-3250		X
3- 7	Relief Valve		W-0170		X
3- 8	Motor		B-095C		X
3- 9	Blade		D67-003A		X
	Guard		D67-002B		X
	Rain Guard		E67-0030		X
AIR COOLED LEE TEMP					
Air Cooled Condenser (95°)			D15-0010		
3- 1	Transformer	E-007A	E-007A	E15-0130	X
3- 2	Contactator		E-011A		X
3- 3	Fuse Block		E-1030		X
3- 4	Fuse		E-2070		X
3- 5	Circuit Breaker		E-276C		X
3- 8	Motor		B-095C		X
3- 9	Blade		D-0160		X
	Guard		D-016J		X
	Rain Guard		D-1820		X
3-10	Receiver		W-0040		X
3-11	Heater Pad	W-015L/120V	W-015L/120V	W-016L/230V	X
3-12	Head Pressure Valve		W-0340		X
3-13	Liquid Indicator		W-0140		X
3-14	Roto Lock Valve		W-0100		X
	Valve Adapter		W-0110		X
3-15	Relief Valve		W-0170		X
	"O" Ring		W-0320		X

ACCOMMODATE2 - MODEL S
 AU 27 AIR, AU 29 WATER, AU 25G GLYCOL, AU 25L GLYCOOL, AU 36 CHILLED WATER

FIND NO.	DESCRIPTION	PART NUMBER			RSP
		208V	230V	277V	
	Air Cooled Condenser (100°)		CSL060Y		
3- 1	Transformer	E-007A	E-007A	E15-0130	X
3- 2	Contactator		E-009F		X
3- 3	Fuse Block		E-1020		X
3- 4	Fuse		E-2070		X
3- 5	Circuit Breaker		E-276C		X
3- 8	Motor		B67-0020		X
3 -9	Blade		D67-002A		X
	Guard		D67-002B		X
	Rain Guard		E67-0030		X
3-10	Receiver		W-0040		X
3-11	Heater Pad	W-015L(120V)		W-016L(230V)	X
3-12	Head Pressure Valve		W-0340		X
3-13	Liquid Indicator		W-0140		X
3-14	Roto Lock Valve		W-0100		X
	Valve Adapter		W-0110		X
3-15	Relief Valve		W-0170		X
	"O" Ring		W-0320		X
	Air Cooled Condenser (105°)		CSL078Y		
3- 1	Transformer	E-007A	E-007A	E15-0130	X
3- 2	Contactator		E-009F		X
3- 3	Fuse Block		E-1020		X
3- 4	Fuse		E-2070		X
3- 5	Circuit Breaker		E-276C		X
3- 8	Motor		B67-0020		X
3- 9	Blade		D67-002A		X
	Guard		D67-002B		X
	Rain Guard		E67-0030		X
3-10	Receiver		W-0040		X
3-11	Heater Pad	W-015L(120V)		W-016L(230V)	X
3-12	Head Pressure Valve		W-0340		X
3-13	Liquid Indicator		W-0140		X
3-14	Roto Lock Valve		W-0100		X
	Valve Adapter		W-0110		X
3-15	Relief Valve		W-0170		X
	"O" Ring		W-0320		X

ACCOMMODATE2 - MODEL S
 AU 27 AIR, AU 29 WATER, AU 25G GLYCOL, AU 25L GLYCOOL, AU 36 CHILLED WATER

FIND NO.	DESCRIPTION	PART NUMBER			RSP
		208V	230V	277V	
Glycol and Water Cooled Section					
4- 1	Tube and Tube Condenser		J15-0020		X
4- 2	Water Regulating Valve (2 way, 1/2)		P-0250		X
4- 2	Water Regulating Valve (3 way, optional)		P-0320		X
	Relief Valve		P-2830		X
	Receiver		W15-0010		X
Glycol Section					
4- 3	Drycooler		D15-0020		
4- 4	Disconnect	E-292A	E-292A	E-2920	X
4- 5	Pump 3/4HP		P13-0030		X
4- 6	Transformer	E-007A	E-007A	E15-0130	X
4- 7	Contactor		E-011A		X
4- 8	Fuse Block		E-1030		X
4- 9	Fuse		E-1020		X
4-10	Circuit Breaker		E-276C		X
4-11	Fan Speed Control		E-325A		X
4-12	Fan Speed Control Sensor		E-325B		X
4-13	Expansion Tank		P-2840		X
4-14	Expansion Tank Bracket		W-0310		X
	Motor		B-095C		X
	Blade		D-016A		X
	Guard		D-016J		X
	Rain Guard		D-1820		X
Glycoool Section					
	Glycoool Coil		115-0015		
	Solenoid Valve		P15-0070		X
	Thermostat		E02-0100		X

ACCOMMODATE2 - MODEL S
 AU 27 AIR, AU 29 WATER, AU 25G GLYCOL, AU 25L GLYCOOL, AU 36 CHILLED WATER

FIND NO.	DESCRIPTION	PART NUMBER			RSP
		208V	230V	277V	
Control Panel					
1-21	Temperature and Humidity Controls		020-0278/020-0279		X
1-21	Temperature Controls		020-0280/020-0281		X
	Control Board (PCB)		020-0001		X
1-22	Power Block		E03-0100		X
1-23	Circuit Breaker Assembly Switch		115-0190		X
1-24	Control Transformer		E03-0010		X
1-25	Time Delay Relay (Winter Start)		E15-0270		X
	Temperature Sensor		020-0150		X
	Humidity Sensor (33-41%)		020-0161		X
	Humidity Sensor (43-55%)		020-0162		X
	Humidity Sensor (58-72%)		020-0163		X
Miscellaneous Equipment					
	Panel Wrench		S-0320		X
	Touch-Up Paint (All Colors)				
	8oz. Bottle/Sprayer Power Unit		S-1100/S-1090		
	Pint Can		Z-203C		
	Quart Can		Z-203A		
	Gallon Can		Z-203B		
Exterior Panels					
	Rear Panel		F15-0680		
	Top Panel		F15-0690		
	Side Panel (No Disconnect)		F15-0700		
	Front Panel		F15-0730		
	Side Panel (Non-Locking Disconnect)		F15-0710		
	Side Panel (Locking Disconnect)		F15-0720		
	Return Air Grill		Q15-0010		
	Discharge Grill		Q15-0030		
	Push Button Switch		E15-0240		X
	Lamp		G12-0480		X
	Cap		E15-0230		X
	Filter 20 x 25 x 1 (Required)		A15-0010		X

ACCOMMODATE2 - MODEL S
 AU 27 AIR, AU 29 WATER, AU 25G GLYCOL, AU 25L GLYCOOL, AU 36 CHILLED WATER

FIND NO.	DESCRIPTION	PART NUMBER			
		208V	230V	277V	RSP
Options					
1-26	Disconnect (Non-Locking)	E15-0050	E15-0050	E15-0060	X
	Bezel		(Y-032A)		X
	Disconnect Switch (Locking)	E15-0050	E15-0050	E15-0060	X
	Disconnect, Ring Interlock		E-288B		
	Disconnect, Outer Ring		E-288C		
	Disconnect Handle		E-288A		
	Hardware Kit		E-289B		
	Temperature and Humidity Recorder (Encased)		031-0002		
	Recorder (Non-Encased)		K-0140		
	Sensors		K-0160		X
	Red Ink		K-0200		X
	Blue Ink		K-0210		X
	Charts		K-0170		X
	Motor		K-0180		X
	Remote Temperature and Humidity Sensors with 30' cable		020-0146		
	Remote Emergency Power Off		200-0193		
	Condensate Pump (Complete Assembly)	115-0226	115-0226	115-0227	
	Condensate Pump	X15-0040	X15-0040	X15-0050	X

ACCOMMODATE2 - POWER

FIND NO.	DESCRIPTION	PART NUMBER			RSP
		208V	230V	277V	
		SP7-C	SP7-D	SP7-A	
2-12	Odd Harmonic Trap Transformer		215-0025		
2- 1	Third Harmonic Trap Transformer		215-0027		
2- 2	Ferroresonant Transformer		215-0026		
2- 3	Thermostat - 180°, NO		E12-7430		X
2- 3	Thermostat - 160°, NO		E12-7420		X
2- 4	EPO Transformer Overtemp Module		020-0270		
2- 5	Fuse - .5 amp		E12-654A		X
2- 6	Fuse - lamp		E16-0080		X
2- 7	Capacitor		E12-7400		X
2- 8	Load Center, Plug In, 20 Pole, 100 amp		E16-0090		
2- 9	Circuit Breaker - Input	E16-0020	E16-0020	E16-0010	
2-10	Power Block - Single		E16-0060		
2-13	Lightning Arrester - 2 pole		E12-7390		X
2-11	Cooling Fan		E16-0050		
	Alarm, Sonalert		G-1520		
	Right Hand Accent Panel		F16-0210		
	Left Hand Accent Panel		F16-0150		
	Front Accent Panel		F16-0030		
	Terminal Strip Piece		E-0380		
	Terminal Strip End Piece		E-0390		

NOTE: * Consult Factory for 50HZ.

ACCOMMODATE2
 MODELS AH 30 AIR, AH 33 WATER, AH 31 CHILLED WATER, AH 28 GLYCOL, 50-60 HZ

FIND NO.	DESCRIPTION	PART NUMBER				RSP
		208V	230V	235V	277V	
MAIN FAN SECTION						
1-1	Motor ½HP	B03-0020	B03-0020	B03-0080	B03-0080	X
1-2	Blower Wheel and Housing		B15-0070			X
2-6	Contactator		E03-0020			X
	Capacitor	B03-002A	B03-002A	B03-0030	B03-0030	X
COMPRESSOR SECTION						
1-3	Compressor	C15-0110	C15-0110	C15-0130	C15-0120	X
2-9	Contactator		E03-0020			X
2-10	Compressor Capacitor Start	C15-0050	C15-0050	C15-0050	C15-0060	X
2-11	Compressor Capacitor Run	C15-0080	C15-0080	C15-0080	C15-0090	X
2-12	Compressor Start Relay	E15-0020	E15-0020	E15-0020	E15-0030	X
2-14	Compressor Auxiliary Relay		E03-0170			X
1-4	Pressure Switch (Low FSC)		P15-0090			X
1-5	Pressure Switch (High)		P15-0080			X
1-4	Pressure Switch (Low-Lee Temp)		P15-0100			X
CHILLED WATER SECTION						
	Chilled Water Coil		L15-0010			
	Valve, Chilled Water 2-way w/Solenoid		P15-0070			X
	Freezestat		E15-0170			X
2-17	Coil Drain Pan		F15-002A			X
HUMIDIFIER SECTION						
1-6	Pan		F15-030A			X
1-7	Reflector		F15-0280			X
2-21	Porcelain Socket		H15-0010			X
1-8	Flow Regulating Valve		H03-0090			X
1-9	Solenoid Valve		H-0380			X
1-10	"Y" Strainer		H-0390			X
	Quartz Lamp - (1) Required	H15-0030	H15-0030	H15-0030	H15-0040	X
2-7	Contactator		E03-0020			X
2-20	Safety 130°F		R15-0030			X
2-5	Auto Flush Timer		020-0176			X

ACCOMMODATE2
 MODELS AH 30 AIR, AH 33 WATER, AH 31 CHILLED WATER, AH 28 GLYCOL, 50-60 HZ

FIND NO.	DESCRIPTION	PART NUMBER				RSP
		208V	230V	235V	277V	
REHEAT SECTION						
2-18	Safety 130°F		R15-0030			X
2-19	Heater Element	R15-0010	R15-0010	R15-0010	R15-0020	X
2-8	Contactora		E03-0020			X
REFRIGERATION SECTION						
1-11	Liquid Indicator		P-3870			X
1-12	Filter Drier		P-3880			X
1-13	Solenoid Valve		P15-0020			X
1-14	Expansion Valve		P15-0010			X
1-15	Dx Coil		X15-0010			
1-16	Drain Pan		F15-002A			X
	Freezestat		E15-0170			X
AIR COOLED (FSC)						
Air Cooled Condenser (95°)			D15-0010			
3-1	Transformer	E-007A	E-007A	E-330A	E15-0130	X
3-2	Contactora		E-011A			X
3-3	Fuse Block	E-1030	E-1030	E-1030	E-1060	X
3-4	Fuse	E-2070	E-2070	E-2070	E-2410	X
3-5	Circuit Breaker		E-276C			X
3-6	Fan Speed Control		E-3250			X
3-7	Relief Valve		W-0170			X
3-8	Motor		B-095C			X
	Blade		D-016A			X
	Guard		D-016J			X
	Rain Guard		D-1830			X
Air Cooled Condenser (100°)*			CSF060P			
3-1	Transformer	E-007A	E-007A	E-007A	E15-0130	X
3-2	Contactora		E-011A			X
3-3	Fuse Block		E-1030			X
3-4	Fuse		E-2070			X
3-5	Circuit Breaker		E-276C			X
3-6	Fan Speed Control		E-3250			X
3-7	Relief Valve		W-0170			X
3-8	Motor		B-095C			X

*NOTE: 100° not available in 50 HZ.

ACCOMMODATE2
 MODELS AH 30 AIR, AH 33 WATER, AH 31 CHILLED WATER, AH 28 GLYCOL, 50-60 HZ

FIND NO.	DESCRIPTION	PART NUMBER				RSP
		208V	230V	235V	277V	
Air Cooled Condenser (100°) (Continued)		CSF060P				
	Blade		D67-002A			X
	Guard		D67-002B			X
	Rain Guard		E67-0030			X
Air Cooled Condenser (105°)*		CSF078P				
3-1	Transformer	E-007A	E-007A	E-007A	E15-0130	X
3-2	Contactator		E-011A			X
3-3	Fuseblock		E-1030			X
3-4	Fuse		E-2070			X
3-5	Circuit Breaker		E-276C			X
3-6	Fan Speed Control		E-3250			X
3-7	Relief Valve		W-0170			X
3-8	Motor		B-095C			X
	Blade		D67-003A			X
	Guard		D67-002B			X
	Rain Guard		E67-0030			X
AIR COOLED LEE TEMP						
Air Cooled Condenser (95°)		D15-0010				
3-1	Transformer	E-007A	E-007A	E-330A	E15-0130	X
3-2	Contactator		E-011A			X
3-3	Fuse Block		E-1030			X
3-4	Fuse		E-2070			X
3-5	Circuit Breaker		E-276C			X
3-9	Motor		B-095C			X
	Blade		D-0160			X
	Guard		D-016J			X
	Rain Guard		D-1820			X
3-10	Receiver		W-0040			X
3-11	Heater Pad	W-015L(120V)		W-106L(230V)		X
3-12	Head Pressure Valve		W-0340			X
3-13	Liquid Indicator		W-0140			X
3-14	Roto Lock Valve		W-0100			X

*NOTE: 105° not available in 50 HZ.

ACCOMMODATE2
 MODELS AH 30 AIR, AH 33 WATER, AH 31 CHILLED WATER, AH 28 GLYCOL, 50-60 HZ

FIND NO.	DESCRIPTION	PART NUMBER				RSP
		208V	230V	235V	277V	
	Air Cooled Lee Temp (95°) (Continued)		D15-0010			
	Valve Adapter		W-0110			X
3-15	Relief Valve		W-0170			X
	"0" Ring		W-0320			X
	Air Cooled Condenser (100°)*		CSL060Y			
3-1	Transformer	E-007A	E-007A	E-007A	E15-0130	X
3-2	Contactoer		E-009F			X
3-3	Fuse Block		E-1020			X
3-4	Fuse		E-2070			X
3-5	Circuit Breaker		E-276C			X
3-9	Motor		B67-0020			X
	Blade		D67-002A			X
	Guard		D67-002B			X
	Rain Guard		E67-0030			X
3-10	Receiver		W-0040			X
3-11	Heater Pad	W-015L(120V)		W-016L(230V)		X
3-12	Head Pressure Valve		W-0340			X
3-13	Liquid Indicator		W-0140			X
3-14	Roto Lock Valve		W-0100			X
	Valve Adapter		W-0110			X
3-15	Relief Valve		W-0170			X
	"0" Ring		W-0320			X
	Air Cooled Condenser (105°)*		CSL078Y			
3-1	Transformer	E-007A	E-007A	E-007A	E15-0130	X
3-2	Contactoer		E-009F			X
3-3	Fuse Block		E-1020			X
3-4	Fuse		E-2070			X
3-5	Circuit Breaker		E-276C			X
3-9	Motor		B67-0020			X
	Blade		D67-002A			X
	Guard		D67-002B			X
	Rain Guard		E67-0030			X
3-10	Receiver		W-0040			X
3-11	Heater Pad	W-015L(120V)		W-016L(230V)		X
3-12	Head Pressure Valve		W-0340			X

*NOTE: 100° and 105° not available in 50 HZ.

ACCOMMODATE2
 MODELS AH 30 AIR, AH 33 WATER, AH 31 CHILLED WATER, AH 28 GLYCOL, 50-60 HZ

FIND NO.	DESCRIPTION	PART NUMBER				RSP
		208V	230V	235V	277V	
Air Cooled Condenser (105°) (Continued)		CSL078Y				
3-13	Liquid Indicator		W-0140			X
3-14	Roto Lock Valve		W-0100			X
	Valve Adapter		W-0110			X
3-15	Relief Valve		W-0170			X
	"O" Ring		W-0320			X
Glycol and Water Cooled						
4-1	Tube and Tube Condenser		J15-0010			X
4-2	Water Regulating Valve (2-way 3/8)		P03-0010			X
4-2	Water Regulating Valve (3-way 3/8)		P-0320			X
	Relief Valve		P-2830			X
Glycol Section						
4-3	Drycooler		D15-0020			
4-4	Disconnect	E13-0010	E13-0010	E13-0010	E-2920	X
4-5	Pump 3/4HP	P13-0030	P13-0030	P13-0060	P13-0030	X
4-6	Transformer	E-007A	E-007A	E-330A	E15-0130	X
4-7	Contactator		E-011A			X
4-8	Fuse Block	E-1060	E-1060	E-1030	E-1030	X
4-9	Fuse		E-2070			X
4-10	Circuit Breaker		E-276C			X
4-11	Fan Speed Control		E-325A			X
4-12	Fan Speed Control Sensor		E-325B			X
4-13	Expansion Tank		P-2840			X
4-14	Expansion Tank Bracket		W-0310			X
	Motor		B-095C			X
	Blade		D-016A			X
	Guard		D-016J			X
	Rain Guard		D-1820			X
Control Panel						
2-22	Temperature and Humidity Control		020-0006			X
2-22	Temperature Control		020-0007			X
2-2	Control Board (PCB)		020-0001			X
2-3	Power Block		E15-0010			X
2-4	Control Transformer		E03-0010			X

ACCOMMODATE2
 MODELS AH 30 AIR, AH 33 WATER, AH 31 CHILLED WATER, AH 28 GLYCOL, 50-60 HZ

FIND NO.	DESCRIPTION	PART NUMBER				RSP
		208V	230V	235V	277V	
Control Panel (Continued)						
	Control Relay		E03-0170			X
	Circuit Breaker		E-276C			X
2-15	Winter Start Relays		(E-264A)			X
			(E15-0140)			X
Control Panel						
2-23	Temperature Sensor		020-0150			X
2-24	Humidity Sensor (33-41%)		020-0161			X
2-24	Humidity Sensor (43-55%)		020-0162			X
2-24	Humidity Sensor (58-72%)		020-0163			X
Miscellaneous Equipment						
	Panel Wrench		S-0320			X
	Touch Up Paint (all colors)					
	8 oz Bottle/Spray and Power Unit		S-1100/S-1090			
	Pint Can		Z-203C			
	Quart Can		Z-203A			
	Gallon Can		Z-203B			
Exterior Panels						
	Rear Top Panel		F15-0040			
	Exterior Side Panel		F15-0060			
	Top Fan Section Exterior Panel		F15-033A			
	Rear Bottom Panel		F15-005A			
	Left Side (Top Fan)		F15-013A			
	Right Side (Top Fan)		F15-013B			
	Bookcase Insert		S15-0020			
	Discharge Grill		Q15-0020			
	Accent Panel (No Disconnect)		F15-0070			
	Accent Panel (Non-Locking)		F15-0080			
	Accent Panel (Locking)		F15-0090			
	Return Air Grill		Q15-0010			
	Filter 20X25X1 (1 Required)		A15-0010			X
Options						
2-1	Disconnect (Non Locking)	E15-0050	E15-0050	E15-0050	E15-0060	X
	Bezel		Y-032A			

ACCOMMODATE2 - MODEL S
 AH 30 AIR, AH 33 WATER, AH 31 CHILLED WATER, AH 28 GLYCOL, 50-60 HZ

FIND NO.	DESCRIPTION	PART NUMBER				RSP
		208V	230V	235V	277V	
Options (Continued)						
	Disconnect (Locking)	E15-0050	E15-0050	E15-0050	E15-0060	X
	Disconnect, Ring Inter Lock		E-288B			
	Disconnect Outer Ring		E-288C			
	Disconnect Handle		E-288A			
	Hardware Kit		E-289B			
	Remote Temperature and Humidity					
	Sensors with 30' Cable		020-0146			
	Condensate Pump	110-0018	110-0018	110-0018	110-0019	
	(Complete Assembly)					
	Condensate Pump		X-015A			X